

# PRINT AND CUT SQUARE LABEL SHAPES

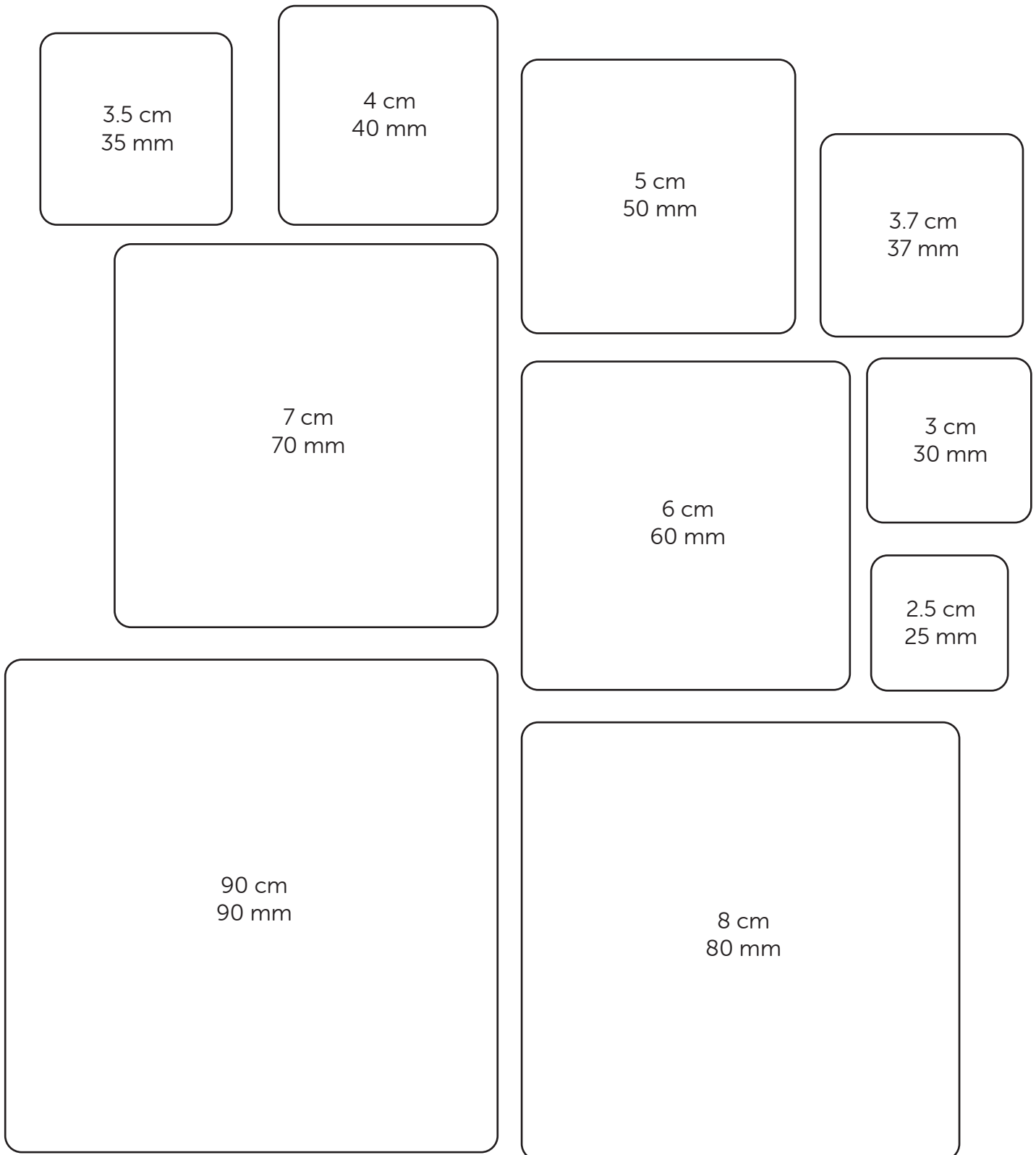


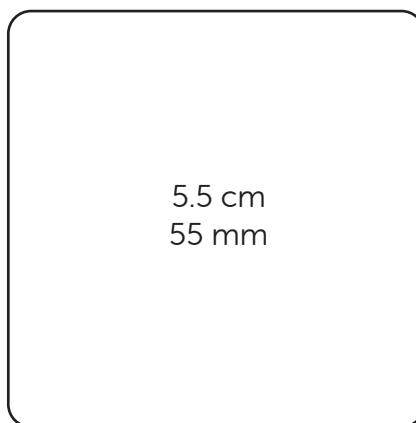
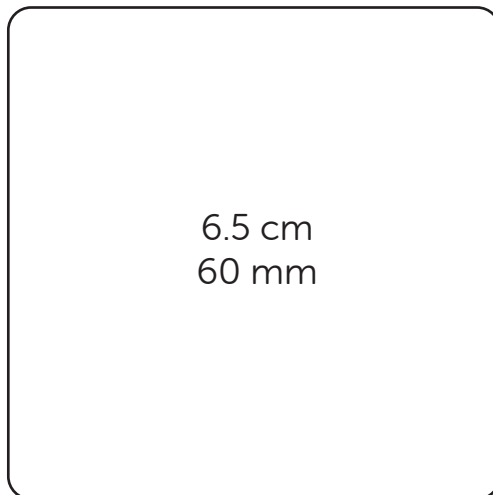
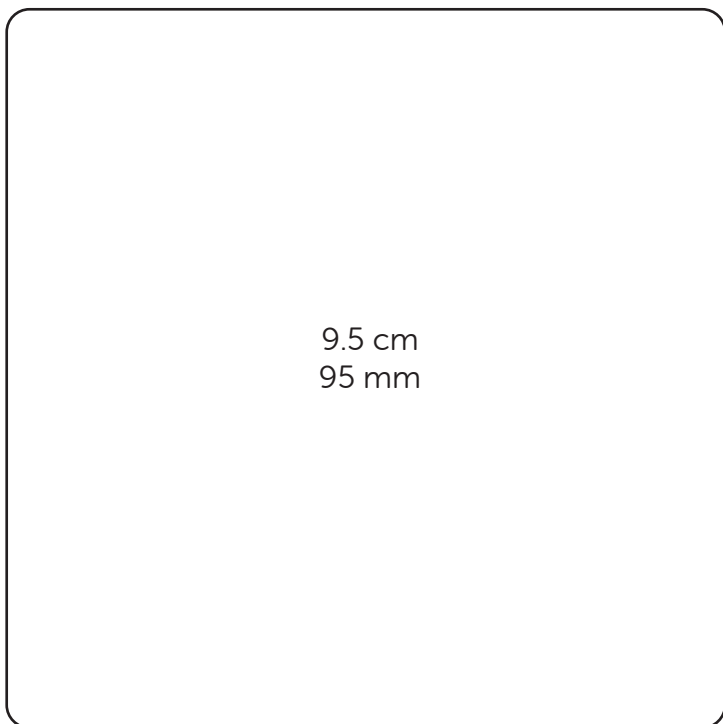
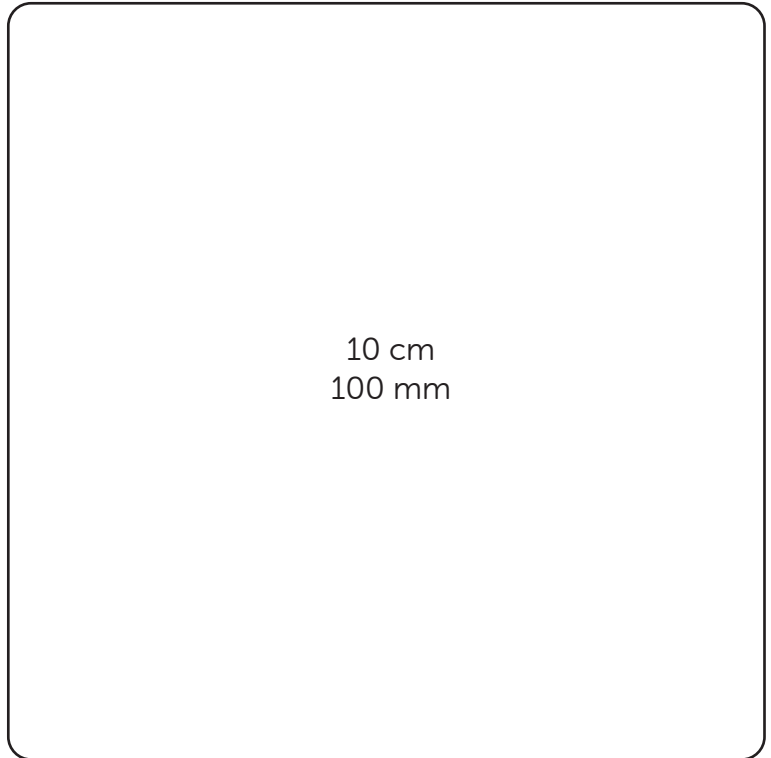
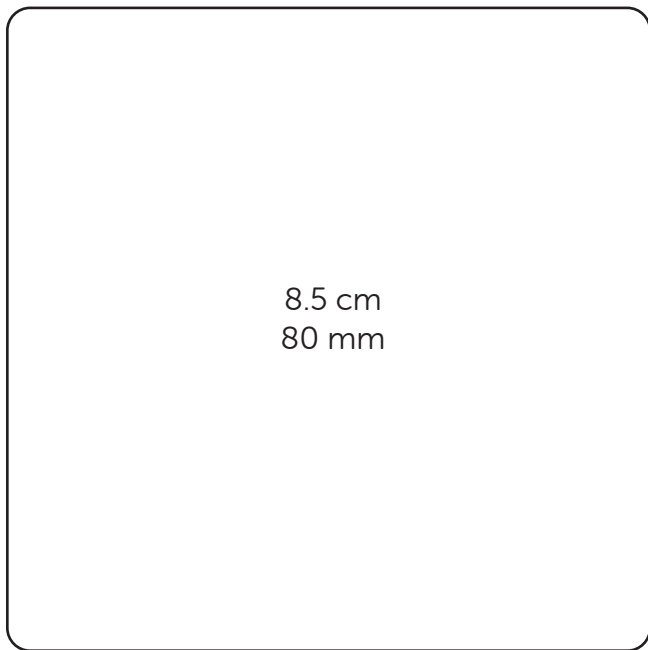
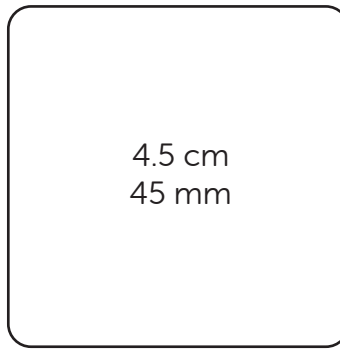
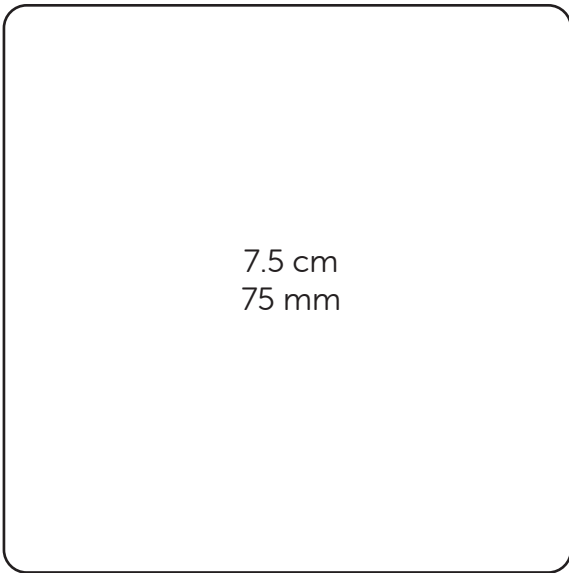
Step  
**01** **PRINT:** print these pages to actual size or 100% scale. Do not fit, shrink or scale below 100%. For best results, Avery recommends using Adobe Acrobat Reader (free).

Step  
**02** **CUT:** using scissors, cut out the label shapes.

Step  
**03** **APPLY:** tape the label shapes onto your product one at a time to help visualize which label looks and fits best. Make sure to get a good look at your product from all angles and distances to ensure you're happy.

Step  
**04** **ORDER:** go to [avery.co.uk](http://avery.co.uk) to order the size that best fits. You can choose blank labels to print yourself or personalised labels printed by Avery.





11 cm  
110 mm

15 cm  
150 mm

12 cm  
120 mm

14 cm  
140 mm

18 cm  
180 mm